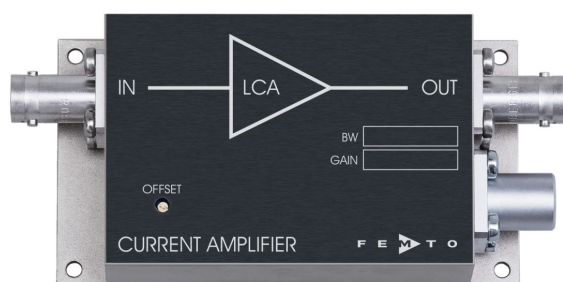


Ultra-Low-Noise Current Amplifier



<p>Features</p>	<ul style="list-style-type: none"> • Bandwidth and Frequency Response Independent of Detector-Capacitance (up to 10 nF) • Extremely Low Noise, 30 fA/√Hz Equivalent Input Noise Current • Bandwidth DC ... 100 kHz • Transimpedance (Gain) 5 x 10⁷ V/A 	
<p>Applications</p>	<ul style="list-style-type: none"> • Photodiode- and Photomultiplier-Amplifier • Spectroscopy • Charge-Amplifier • Ionisation Detectors • Preamplifier for Lock-Ins, A/D-Converters, etc. 	
<p>Specifications</p>	<p>Test Conditions</p> <p>Gain</p> <p>Frequency Response</p> <p>Input</p> <p>Output</p> <p>Power Supply</p> <p>Case</p> <p>Temperature Range</p>	<p>V_s = ± 15 V, T_a = 25°C</p> <p>5 x 10⁷ V/A (>10 kΩ Load) ± 1%</p> <p>DC 100 kHz (- 3 dB) 4 μs (10% - 90%) ± 0.1 dB</p> <p>Equ. Input Noise Current 30 fA/√Hz (@ 10 kHz) Equ. Input Noise Voltage 5 nV/√Hz (@ 10 kHz) Input Bias Current 2 pA typ. Input Bias Current Drift Factor 1.7 / 10 K Offset Current Compensation ± 60 nA, Adjustable by Offset-Trimpot Max. Input Current ± 200 nA (Linear Amplification) Input Offset Voltage < 1 mV DC Input Impedance 50 Ω (Virtual) // 5 pF</p> <p>± 10 V (>10 kΩ Load) 50 Ω (Terminate with >10 kΩ for best Performance) ± 10 mA (Linear Amplification)</p> <p>± 15 V ± 40 mA typ.</p> <p>210 gr. (0.5 lbs) AlMg4.5Mn, nickel-plated</p> <p>-40 ... +100 °C 0 ... +60 °C</p>

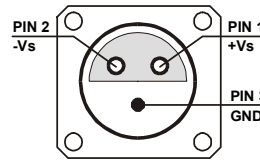
Ultra-Low-Noise Current Amplifier

Absolute Maximum Ratings

Input Voltage $\pm 5\text{ V}$
 Power Supply Voltage $\pm 22\text{ V}$

Connectors

Input BNC
 Output BNC
 Power Supply LEMO Series 1S, 3-pin Fixed Socket
 Pin 1: +15V
 Pin 2: -15V
 Pin 3: GND



Application Diagrams

Photo Detector Biasing in Photovoltaic Mode:
 Use for Low Speed Applications and Minimum Dark Current.

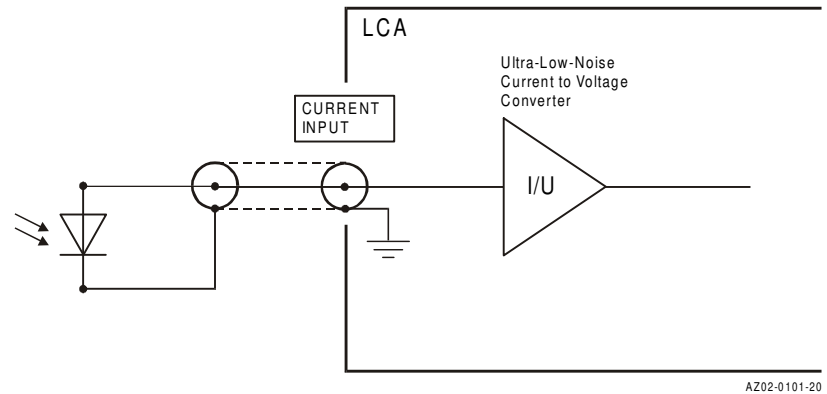
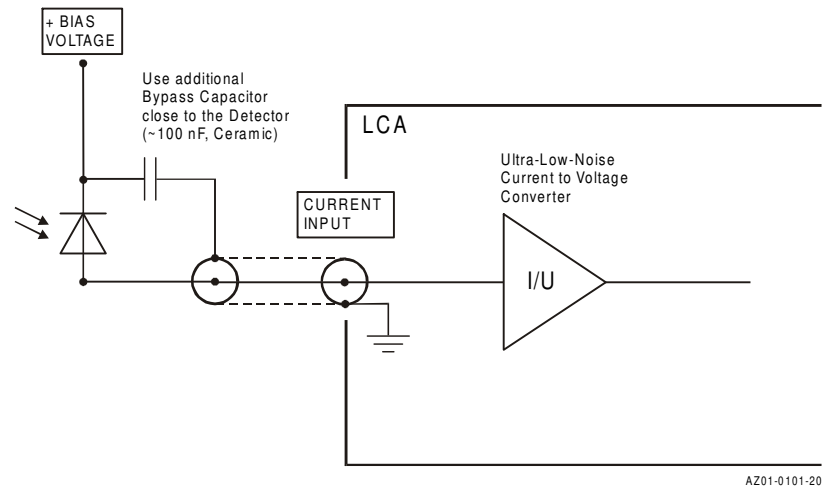
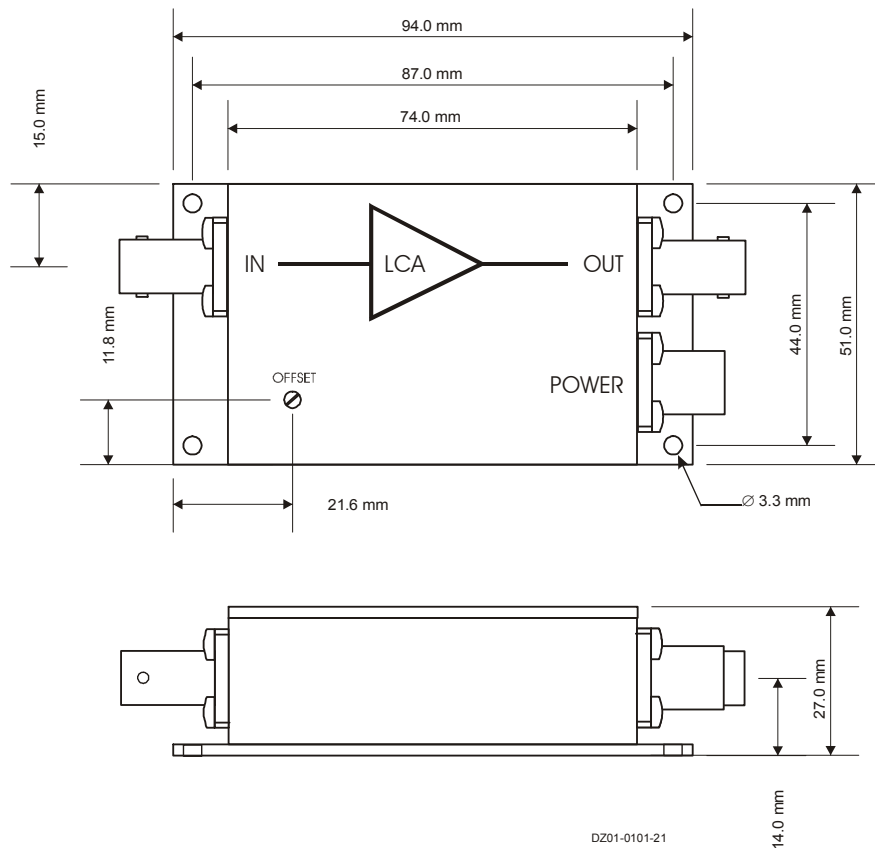


Photo Detector Biasing in Photoconductive Mode:
 Use for Fast Applications and if More Dark Current is Tolerable.
 Bias Voltage Decreases Detector Capacitance.



Ultra-Low-Noise Current Amplifier

Dimensions



FEMTO Messtechnik GmbH
 Klosterstr. 64
 10179 Berlin · Germany
 Phone: +49 30 280 4711-0
 Fax: +49 30 280 4711-11
 Email: info@femto.de
 www.femto.de

Specifications are subject to change without notice. Information provided herein is believed to be accurate and reliable. However, no responsibility is assumed by FEMTO Messtechnik GmbH for its use, nor for any infringement of patents or other rights of third parties which may result from its use. No license is granted by implication or otherwise under any patent or patent rights of FEMTO Messtechnik GmbH. Product names mentioned may also be trademarks used here for identification purposes only.

© by FEMTO Messtechnik GmbH · Printed in Germany